

Semi-Automatic Piston Type  
Powder Actuated Tool

# stiffy tool



**DANGER**



The Stiffy Tool is designed for overhead installation of pre-tied assemblies into concrete, wood, or steel substrates. This tool is intended to be used by licensed operators only. **Warning:** Before you operate the tool, read this manual carefully.



STIFFY TOOL  
**SAFETY/INSTRUCTION**  
OPERATORS MANUAL

**CEAS**

CONSTRUCTION ENGINEERED  
ATTACHMENT SOLUTIONS

A Division of Tomarco Contractor Specialties

[ceasattachments.com](http://ceasattachments.com)

**(877) GOO-CEAS**

(877) 466-2327





### DANGER



THIS TOOL IS TO BE USED ONLY BY PROPERLY TRAINED AND LICENSED OPERATORS. YOU MUST SUCCESSFULLY COMPLETE THE CEAS TRAINING PROGRAM FOR THE TOOL AND OBTAIN A CERTIFIED OPERATOR'S LICENSE BEFORE HANDLING, LOADING, OR OPERATING THIS TOOL. SAFETY TRAINING AND LICENSE CAN BE OBTAINED AT [www.ceasattachments.com](http://www.ceasattachments.com) ATTEMPTING TO HANDLE OR OPERATE THIS TOOL WITHOUT PROPER TRAINING AND LICENSING CAN RESULT IN SERIOUS INJURY TO THE OPERATOR OR BYSTANDERS.



Eye protection must be worn at all times by the tool operator and bystanders



You must read the tool manual prior to operating the PowderPuff tool



NEVER PLACE YOUR HAND IN FRONT OF A LOADED CEAS ATTACHMENTS TOOL. IF THE TOOL IS ACCIDENTALLY DISCHARGED THE FASTENER OR PISTON COULD SHOOT THROUGH YOUR HAND.



### DANGER



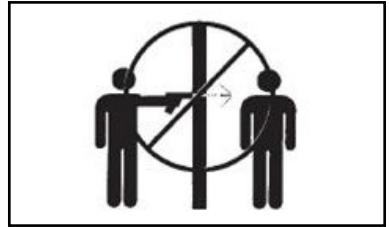
No one should attempt to use any CEAS tool without adequate, competent, personal instruction. In order to operate a CEAS tool you must be licensed for this specific tool. Certified CEAS instructors and printed material alone cannot detail all possible conditions surrounding the use of CEAS tools and products. Responsibility for the safe and proper use of this tool rests with the tool user and the employer.

## Load Safety and Selection

1. Always make a test fastening after being sure that the base material is suitable for powder actuated fastening. Failure to determine the correct power level to be used may result in the use of excessive power, allowing the fastener to pass completely through the work material, causing serious or fatal injuries to others who may be in the path of the fastener.
2. Color-blind operators must always select loads by load number to prevent use of an incorrect load for the same reasons as in #1 above.
3. Only loads designed for use in the Stiffy Tool can be used. Standard 27 caliber strip loads work with this tool.
4. When using the Stiffy Tool always start with a Test Fastening in order to confirm the suitability of the base material. Always start with a light load (i.e. Brown) and increase load level based on the acceptability of the attachment.



NEVER FASTEN INTO VERY HARD OR BRITTLE MATERIALS



NEVER FASTEN INTO SOFT SUBSTRATES SUCH AS DRYWALL

## Load Levels

Load levels are based on color and number. The load levels offered are shown to the right.

One of the licensing requirements is to determine the load level based on number. Color Blind operators must be able to determine the load levels by number. It is not mandatory to be able to see colors in order to operate the PowderPuff Tool.

Load Level	Color
#2	Brown
#3	Green
#4	Yellow
#5	Red

### Acceptable Base Materials

Powder actuated fastening is suitable for use in the following base materials only: Poured Concrete, Structural Steel, Masonry Joints, Wood Applications (Timberpin only)

### Unacceptable Base Materials

Never attempt to fasten into very hard or brittle materials such as cast iron, tile, glass, or rock of any type. These materials can shatter, causing the fastener and/or base material fragments to fly free and cause serious injury to tool operator and others.



### Powder Actuated Tool & Accessories

Prior to using your Stiffy Tool you must obtain a valid CEAS operators card, have read all of the safety guidelines and clearly understand all of the instructions in this manual.

#### **Step 1:**

*Insert the CEAS assembly into the nosepiece until the fastener is securely seated.*



#### **Step 2:**

*Insert the strip loads into the bottom of the feed track. Slide in until the strip is flush with the bottom of the tool housing.*

*Always insert the loads from the bottom of the Stiffy Tool and remove from the top.*



#### **Step 3:**

*To actuate the Stiffy Tool: Raise the tool to the ceiling and touch the assembly to the spot you would like to penetrate. Lower the tool approximately 12" from the substrate and strike the tool against the work surface with a firm upward motion. Remove the tool from the assembly.*



#### **Step 4:**

*Repeat the sequence by inserting another assembly into the nosepiece and advancing the next load by squeezing the indexing lever upwards until it stops.*

*Continue steps 1,3, & 4 until all 10 loads have been used.*



## STIFFY TOOL CLEANING PROCEDURES

**Make certain that there are no loads in the Stiffy Tool prior to performing any cleaning or maintenance.**



**Step 1:**  
Unthread the nosepiece from the front of the tool.



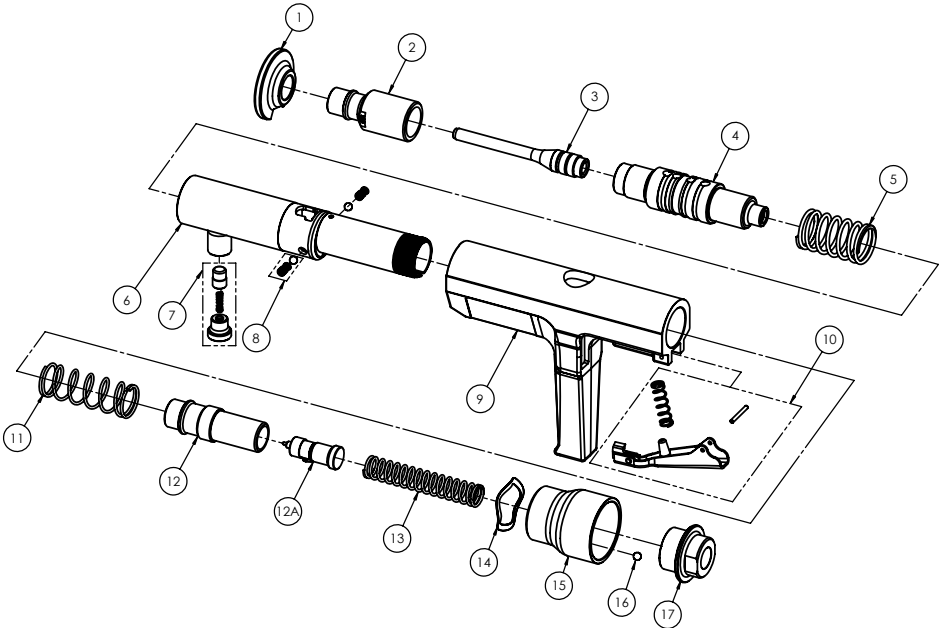
**Step 2:**  
Remove the piston.



**Step 4:**  
Use wire brushes and a rag to remove any powder residue on all surfaces. Insert a wire brush into the barrel of the tool to ensure that you remove as much buildup as possible.



KEY	PART #	DESCRIPTION
1	ST1	SPALL GUARD
2-1	ST114	1-1/4" NOSEPIECE
2-2	ST1716	1-7/16" NOSEPIECE
2-3	ST212	2-1/2" TIMBERPIN NOSEPIECE
3	ST3	PISTON
4	ST4	BARREL
5	ST5	BARREL SPRING
6	ST6	RECEIVER
7	ST7	PAWL ASSEMBLY
8	ST8	LINER BALLS & SPRINGS
9	ST9	HOUSING
10	ST10	INDEXING LEVER ASSEMBLY
11	ST11	FIRING PIN ASSEMBLY SPRING
12	ST12	FIRING PIN HOUSING
12A	ST12A	FIRING PIN
13	ST13	FIRING PIN SPRING
14	ST14	WAVE WASHER
15	ST15	HANDLE CONNECTOR
16	ST16	LOOKOUT BALL
17	ST17	POLE CONNECTOR



## Stiffy Accessories

Shown with Stiffy Telescoping Pole Tool plus Side Car and Weedy Cable Support



### Stiffy Side Car

- Patent pending Stiffy Side Car saves time and labor
- Keeps plenty of pre-assembled cable supports right on the pole so you can work quickly and efficiently
- Works with both telescoping and fixed length Stiffy overhead pole tools



### Stiffy Telescoping Pole Tool

- Easy installation from the ground for high reach applications (safer than ladders)
- Aircraft quality aluminum
- Ergonomic foam comfort grip
- Choose 2 or 3 stage (3'-6', 6'-12', 6'-18', 8'-24')



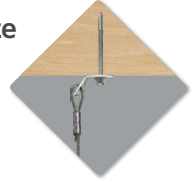
### Stiffy Fixed Length Pole Tool

- Provides easy installation from the ground (safer than ladders)
- Reinforced fiberglass with ergonomic rubber comfort grip
- Choose standard fixed lengths (4', 6', 8', 10', 12')



### Stiffy Timberpin Nosepiece

- Fastest way to secure to wood structures
- 2-1/2" extended nosepiece



DESCRIPTION	ORDER #	DESCRIPTION	ORDER #
Stiffy Tool	STTOOL	Fixed Length Stiffy Pole	
Stiffy Timber Pin Nosepiece	ST212	4' Fixed Length Pole	POLV4
Stiffy Side Car	STSC	6' Fixed Length Pole	POLV6
Telescoping Stiffy Pole		8' Fixed Length Pole	POLV8
2 Stage 3' - 6'	POLTV36	10' Fixed Length Pole	POLV10
2 Stage 6' - 12'	POLTV612	12' Fixed Length Pole	POLV12
3 Stage 6' - 18'	POLTV618	Custom Length	Special Order
3 Stage 8' - 24'	POLTV824		

# **stiffy tool**

**Semi-Automatic Piston Type  
Powder Actuated Tool**

## **Warranty**

ALL WARRANTIES OF THE PRODUCTS DESCRIBED HEREIN, EXPRESSED OR IMPLIED, INCLUDING THE WARRANTY OF MERCHANTABILITY AND FITNESS FOR PARTICULAR PURPOSES, ARE SPECIFICALLY EXCLUDED, EXCEPT FOR THE FOLLOWING: CEAS Attachments will repair or replace, at its sole option, any tool, or part which, within 6 months after sale by CEAS Attachments, is found by CEAS Attachments to be defective in material or workmanship, normal wear and tear excluded. THIS IS THE SOLE WARRANTY OF CEAS ATTACHMENTS AND THE SOLE REMEDY AVAILABLE TO THE BUYER AND IN NO EVENT WILL ANY DIRECT OR INDIRECT INCIDENTAL OR CONSEQUENTIAL DAMAGES, OR ANY OTHER DAMAGES, BE AVAILABLE.

THE STIFFY TOOL COMPLIES WITH OSHA REQUIREMENTS AND WITH ANSI A10.3 SPECIFICATIONS.

FOR TOOL REPAIR SERVICE CONTACT YOUR LOCAL CEAS ATTACHMENTS DISTRIBUTOR.

**CEAS**  
CONSTRUCTION ENGINEERED  
ATTACHMENT SOLUTIONS

*A Division of Tomarco Contractor Specialties*

[ceasattachments.com](http://ceasattachments.com)

**(877) GOO-CEAS**

(877) 466-2327

**SINCE 1977**  
**CONSTRUCTION**  
**ENGINEERED ATTACHMENT**  
**SOLUTIONS**