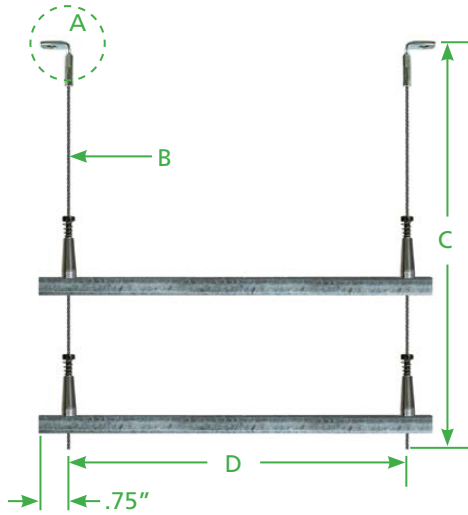
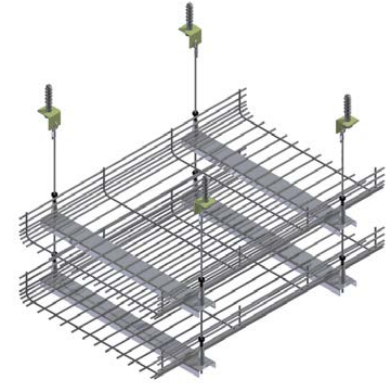


Wedgy 2-Tier CRC Cable Tray Support



- Provides support for Conduit or Cable Tray
- Quick installation and adjustment
- Prefabricated trapezes save time and money
- Fasteners are selected and pre-staked for Concrete, Steel or Wood attachments
- Engineered as a COMPLETE ASSEMBLY!
- Assembly maximum capacities vary by substrate and embedment. Refer to the guidelines on the next page and tables below for useable loads
- Manufactured to ASTM A1023 and ASTM A931



- Assembly contains:**
- 2ea Cable assemblies with selected anchors
 - 2ea CRC Trapezes with Single Wedgys pressed in

Contractor:		Ship to Address:	
PO#		Order Date:	
**All Orders are Custom and Therefore Non-cancellable and Non-returnable			

Trapeze Capacity	
24" Wide	100#
36" Wide	80#
Cable Assembly Capacity	
3/32" Cable	125#
1/8" Cable	

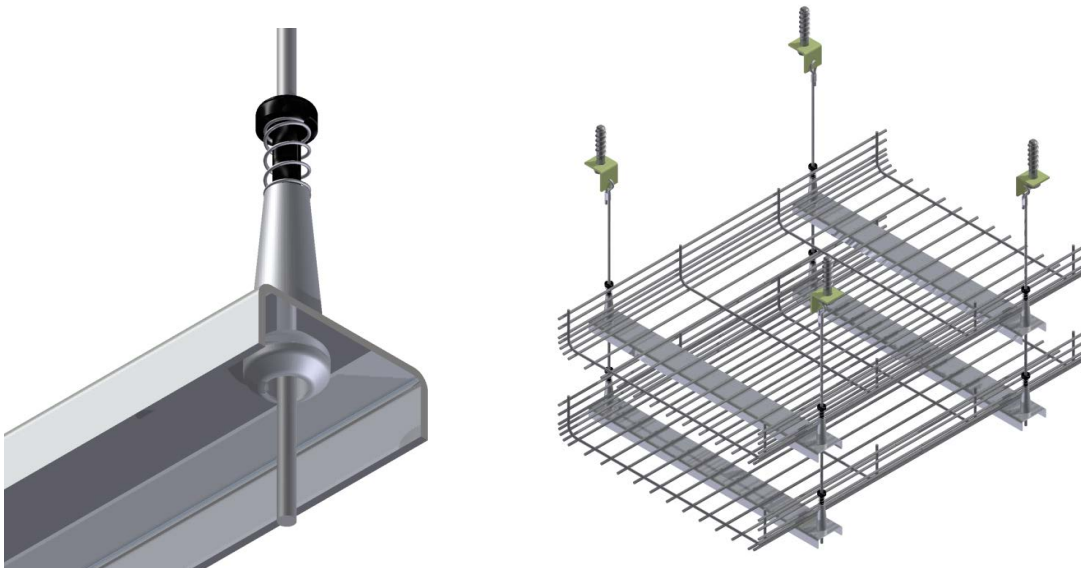
	A(6**)	B	C	D	Qty
Fig 729					
Fig 729					
Fig 729					



A						B	C	D	
Attachment to Structure ^{1,2}						Cable Diameter	Cable Length	CRC Width	
Concrete Connections			Wood Connections						
600-1	Dewalt Pin & Clip (1-1/8" Embed.) ³	120#	640-1	Wood Eyselag - 1/4" x 3"	323#	*02	3/32" Cable	*01	3'
600-2	Dewalt Pin & Clip (7/8" Embed.) ³	55#	640-2	Wood Eyselag - 1/4" x 4"	323#	*03	1/8" Cable	*02	6'
600-3	Ramset Pin & Clip (1-1/8" Embed.) ³	94#	640-3	Wood Eyselag - 1/4" x 5"	323#			*03	9'
600-4	Ramset Pin & Clip (3/4" Emb.) ³	59#	641	Timberpin	100#			*04	12'
601-1	90° Clip and 1/4" x 1-7/8" Titen HD	107#	Cast-in-Place Connections		Load			*05	15'
601-2	90° Clip and 3/8" x 2-1/2" Titen HD	221#	660	Pigtail Loop - 20g Deck (No Fill)	133#			*06	18'
602-1	90° Clip and 1/4" x 2-1/4" Wedge Anchor	701#		Pigtail Loop - 20g Deck with LWC	300#			*07	21'
602-2	90° Clip and 3/8" x 3" Wedge Anchor	349#	661	Rebar Tie - 22g Deck (No Fill)	375#			*08	24'
605	Tie Wire Wedge Anchor (1/4" Dia.)	330#		Rebar Tie - 22g Deck with LWC	375#			*09	27'
606	Tie Wire Spike Anchor (1/4" Dia.)	270#	665	3/8 x 2-1/2" Stud (PIP Blue Banger)	400#			*10	30'
Steel Connections		Load	667	3/8 x 5" Stud (SDI Blue Banger)	400#			*25	Custom
620	Loop Connection	80#	668	3/8 x 2-1/2" Stud (PIP PushRod)	400#				
621-1	Metal Eyselag - 1/4" x 3/4" (2" OAL) 20g	125#	669	3/8 x 5" Stud (SDI PushRod)	400#				
621-2	Metal Eyselag - 1/4" x 2" (3-1/4" OAL) 20g	125#	689	Swage Fit Toggle	360#				
622	Bar Joist Pull-down Clamp	300#	Angle Clip Only		Load				
623	Hammer-on Beam Clamp	200#	682	90° Bracket with 1/4" Anchor Hole	N/A				
624-1	90° Clip and #10 HWH Self Driller (20g)	62#	683	90° Bracket with 3/8" Anchor Hole	N/A				
624-2	90° Clip and #10 HWH Sharp Point (22g)	77#	685	BX Battery-Actuated Tool Bracket ⁴	110				
628	Snaphook for 1/4" Hole	106#							

FOOTNOTES:
 1) Ultimate capacities have been reduced to take into consideration eccentric loads on the trapeze.
 2) Attachment Capacities listed above are worst case. For values into specific substrate conditions refer to tables.
 3) For projects in Design Category C Ip>1.0 and D, E & F Ip=all Power Actuated Fasteners are limited to 90#. (OSHPD Projects 70#).
 4) Capacity is for BX Battery-Actuated Tool Bracket only. Fastener and design of fastener to structure by others.

Wedgy 2-Tier CRC Cable Tray Support Fig 729



How to determine the Wedgy Complete Assembly Capacity

Step 1:

- A) Determine the capacity of the attachment to structure and multiply the capacity by 2.
- B) Determine the Cable Assembly Capacity and multiply the capacity by 2.
- C) Determine the Trapeze Capacity.

Trapeze Capacity	
24" Wide	100#
36" Wide	80#

Cable Assembly Capacity	
3/32" Cable	125#
1/8" Cable	125#

Step 2:

The lessor of the 3 values is the Wedgy Complete Assembly Capacity

	Example			Actual		
	Variable	Capacity		Variable	Capacity	
Attachment to Structure	600-1 Pin and Clip	120#	X 2 =	240#		X 2 =
Cable Assembly Capacity	3/32" Cable	125#	X 2 =	250#		X 2 =
Trapeze Capacity	22" Wide Trapeze			100#		
	Wedgy Complete Assembly Capacity			240#	Wedgy Complete Assembly Capacity	



CONSTRUCTION ENGINEERED ATTACHMENT SOLUTIONS

It's What We Do!