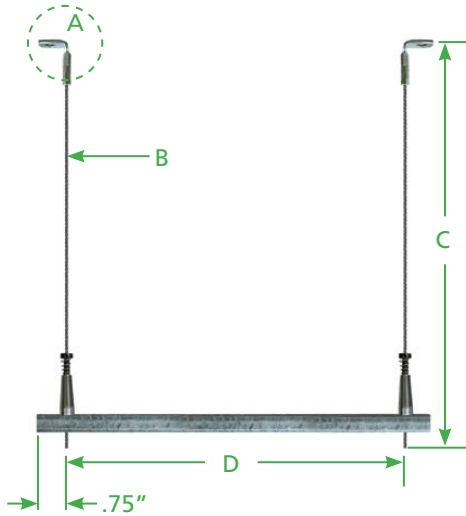
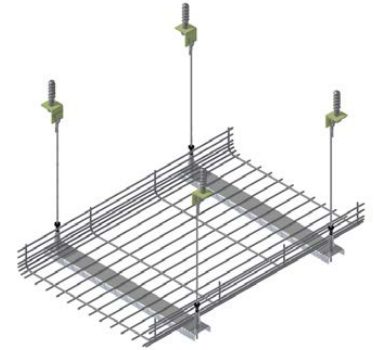


Fig. 728

Wedgy CRC Cable Tray Support



- Provides support for Conduit or Cable Tray
- Quick installation and adjustment
- Prefabricated trapezes save time and money
- Fasteners are selected and pre-staked for Concrete, Steel or Wood attachments
- Engineered as a COMPLETE ASSEMBLY!
- Assembly maximum capacities vary by substrate and embedment. Refer to the guidelines on the next page and tables below for useable loads
- Manufactured to ASTM A1023 and ASTM A931



- Assembly contains:**
- 2ea Cable assemblies with selected anchors
 - 1ea CRC Trapezes with Single Wedgys pressed in

Contractor:		Ship to Address:	
PO#		Order Date:	
**All Orders are Custom and Therefore Non-cancellable and Non-returnable			

Trapeze Capacity	
24" Wide	100#
36" Wide	80#
Cable Assembly Capacity	
3/32" Cable	125#
1/8" Cable	

	A(6**)	B	C	D	Qty
Fig 728					
Fig 728					
Fig 728					

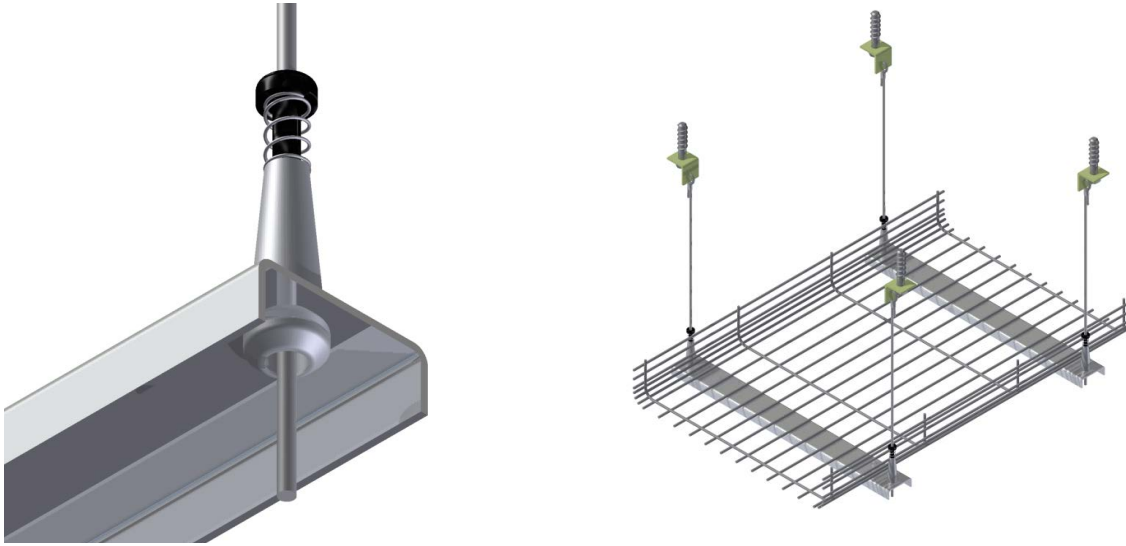


A						B	C	D	
Attachment to Structure ^{1, 2}						Cable Diameter	Cable Length	CRC Width	
Concrete Connections			Wood Connections						Fastner Capacity
600-1	Dewalt Pin & Clip (1-1/8" Embed.) ³	120#	640-1	Wood Eyelag - 1/4" x 3"	323#	*02	3/32" Cable	*01	
600-2	Dewalt Pin & Clip (7/8" Embed.) ³	55#	640-2	Wood Eyelag - 1/4" x 4"	323#		*03	1/8" Cable	*02
600-3	Ramset Pin & Clip (1-1/8" Embed.) ³	94#	640-3	Wood Eyelag - 1/4" x 5"	323#			*03	9'
600-4	Ramset Pin & Clip (3/4" Emb.) ³	59#	641	Timberpin	100#			*04	12'
601-1	90° Clip and 1/4" x 1-7/8" Titen HD	107#	Cast-in-Place Connections		Load			*05	15'
601-2	90° Clip and 3/8" x 2-1/2" Titen HD	221#	660	Pigtail Loop - 20g Deck (No Fill)	133#			*06	18'
602-1	90° Clip and 1/4" x 2-1/4" Wedge Anchor	701#		Pigtail Loop - 20g Deck with LWC	300#			*07	21'
602-2	90° Clip and 3/8" x 3" Wedge Anchor	349#	661	Rebar Tie - 22g Deck (No Fill)	375#			*08	24'
605	Tie Wire Wedge Anchor (1/4" Dia.)	330#		Rebar Tie - 22g Deck with LWC	375#			*09	27'
606	Tie Wire Spike Anchor (1/4" Dia.)	270#	665	3/8 x 2-1/2" Stud (PIP Blue Banger)	400#			*10	30'
Steel Connections			Load	667	3/8 x 5" Stud (SDI Blue Banger)	400#		*25	Custom
620	Loop Connection	80#	668	3/8 x 2-1/2" Stud (PIP PushRod)	400#				
621-1	Metal Eyelag - 1/4" x 3/4" (2" OAL) 20g	125#	669	3/8 x 5" Stud (SDI PushRod)	400#				
621-2	Metal Eyelag - 1/4" x 2" (3-1/4" OAL) 20g	125#	689	Swage Fit Toggle	360#				
622	Bar Joist Pull-down Clamp	300#	Angle Clip Only			Load			
623	Hammer-on Beam Clamp	200#	682	90° Bracket with 1/4" Anchor Hole	N/A				
624-1	90° Clip and #10 HWH Self Driller (20g)	62#	683	90° Bracket with 3/8" Anchor Hole	N/A				
624-2	90° Clip and #10 HWH Sharp Point (22g)	77#	685	BX Battery-Actuated Tool Bracket ⁴	110				
628	Snaphook for 1/4" Hole	106#							

FOOTNOTES:

- 1) Ultimate capacities have been reduced to take into consideration eccentric loads on the trapeze.
- 2) Attachment Capacities listed above are worst case. For values into specific substrate conditions refer to tables.
- 3) For projects in Design Category C Ip>1.0 and D, E & F Ip=all Power Actuated Fasteners are limited to 90#. (OSHPD Projects 70#).
- 4) Capacity is for BX Battery-Actuated Tool Bracket only. Fastener and design of fastener to structure by others.

Wedgy CRC Cable Tray Support Fig 728



How to determine the Wedgy Complete Assembly Capacity

Step 1:

- A) Determine the capacity of the attachment to structure and multiply the capacity by 2.
- B) Determine the Cable Assembly Capacity and multiply the capacity by 2.
- C) Determine the Trapeze Capacity.

Trapeze Capacity	
24" Wide	100#
36" Wide	80#

Cable Assembly Capacity	
3/32" Cable	125#
1/8" Cable	125#

Step 2:

The lessor of the 3 values is the Wedgy Complete Assembly Capacity

	Example			Actual		
	Variable	Capacity		Variable	Capacity	
Attachment to Structure	600-1 Pin and Clip	120#	X 2 =	240#		X 2 =
Cable Assembly Capacity	3/32" Cable	125#	X 2 =	250#		X 2 =
Trapeze Capacity	22" Wide Trapeze			100#		
	Wedgy Complete Assembly Capacity	240#		Wedgy Complete Assembly Capacity		



CONSTRUCTION ENGINEERED ATTACHMENT SOLUTIONS

It's What We Do!