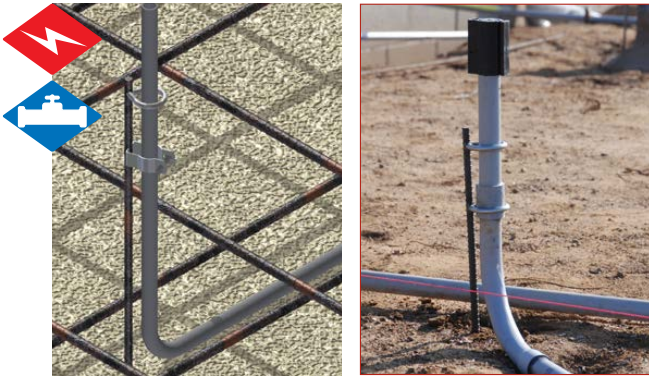
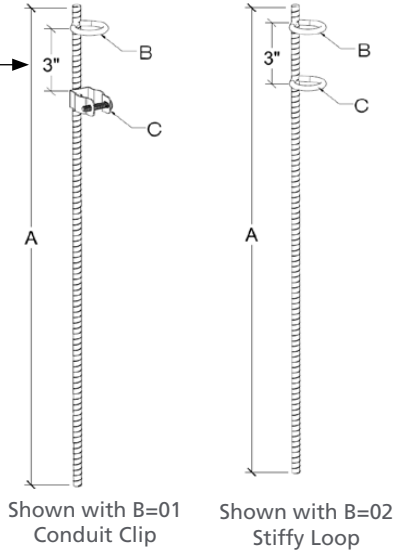


## 401 Single Loop Slab-On-Grade Stiffy



Scan to Learn More

To alter this dimension, please note it on this order form.



\*\*Important Note: When the rebar legs must penetrate a vapor barrier dip the Stiffy into a bucket of vapor barrier mastic to preserve the seal and eliminate the need to tape the penetrations.

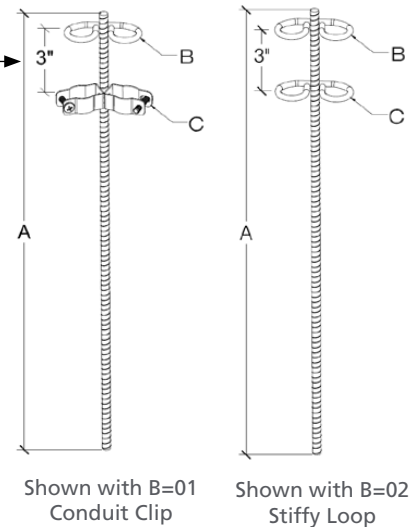
	A	B	C	Qty
Fig 401				

## 402 Double Loop Slab-On-Grade Stiffy



Scan to Learn More

To alter this dimension, please note it on this order form.



\*\*Important Note: When the rebar legs must penetrate a vapor barrier dip the Stiffy into a bucket of vapor barrier mastic to preserve the seal and eliminate the need to tape the penetrations.

	A	B1	B2	C	Qty
Fig 402					

A	B		C		
	Stiffy I.D.	For reference only		Lower Assembly	
Height (Inches)		GRC/PVC/ENT	PVC Coated Rigid	*00	No Lower Assembly
(22" Typ.)	*01 .875"	1/2" (.84 OD)		*01	Conduit Clip
	*02 1.125"	3/4" (1.05" OD)		*02	Loop
	*03 1.375"		3/4" (1.13" OD)		
	*04 1.50"	1" (1.32" OD)	1" (1.4" OD)		
	*05 1.75"	1-1/4" (1.66" OD)	1-1/4" (1.74" OD)		
	*06 2.125"	1-1/2" (1.9" OD)	1-1/2" (1.98" OD)		
	*07 2.50"	2" (2.38" OD)	2" (2.46" OD)		
	*08 3.00"	2-1/2" (2.88" OD)	2-1/2" (2.96" OD)		
	*09 3.625"	3" (3.5" OD)	3" (3.58" OD)		
	*10 4.125"	3-1/2" (4" OD)	3-1/2" (4.08" OD)		
	*11 4.625"	4" (4.5" OD)	4" (4.58" OD)		
	*12	Other-Specify Size			

- Provides rigid support for pipes and conduits in dirt and sand prior to the concrete pour
- Support loop design eliminates restraint at the top
- Offers many additional uses
- Support can extend above the concrete pour to protect the pipe
- Rebar extends above the loops to provide a surface to hammer the supports into the soil

**Footnotes:**

- Dimensions shown are for conduit OD only. Be sure to oversize the openings to account for couplings.
- 1/2" nom. Pre-sleeved PEX piping = 1.05" O.D.
- 3/4" nom. Pre-sleeved PEX piping = 1.36" O.D.

