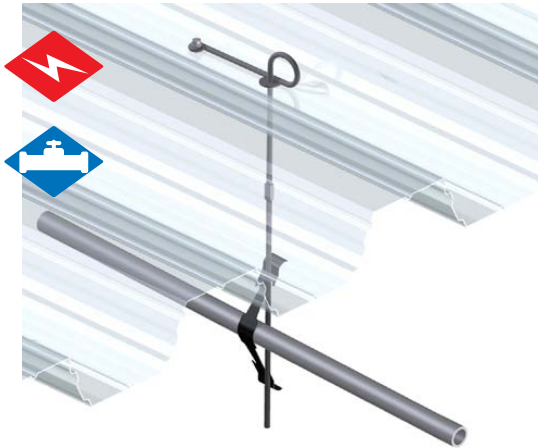
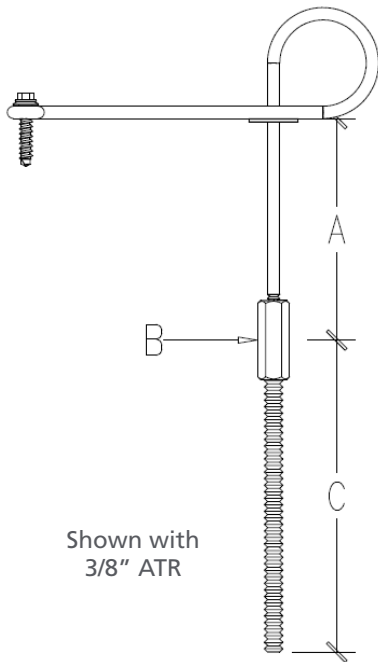


**Fig. 382**

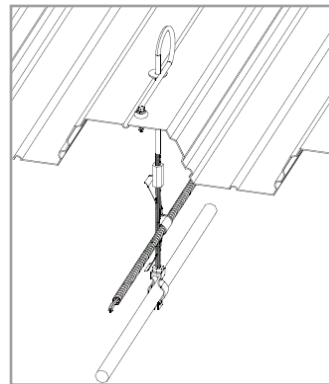
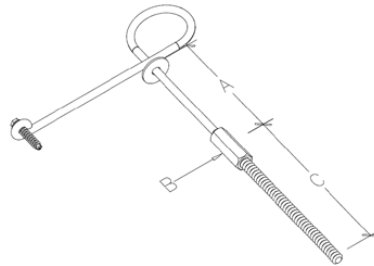
# Stiffy Cast-In-Place Threaded Rod with Pigtail Loop



- Punch a hole in the deck and drop this support through
- Available with 1/4" or 3/8" all thread rod
- Zinc plated rod for corrosion resistance
- Designed as a rigid method of support for mechanical, electrical, and plumbing systems
- Can be used with or without concrete being poured over the deck
- Neoprene washer prevents concrete slurry from passing thru the deck
- Recommended where "friction connections" are not allowed
- Note: When Stiffy Grippers (Fig 162) are connected to all thread rod a "friction connection" does not exist
- Max load in concrete filled deck: 300 lbs. per support
- Max load in decks with no concrete fill: 133 lbs. per support
- UL listed



Shown with 3/8" ATR



Scan to Learn More

A	B		C
Drop Length (Inches)	*01	No Coupler <sup>1</sup>	All Thread Rod Length (In.)
	*02	1/4" Coupler	
	*03	1/4" x 3/8" Rod Coupler	
Footnote: 1- Threaded end has 1/2" of threads			

	A	B	C	Qty
Fig 382				

