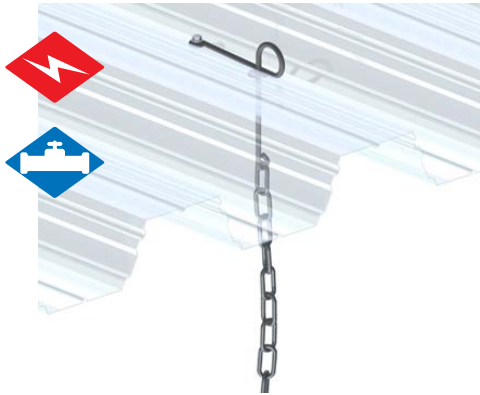
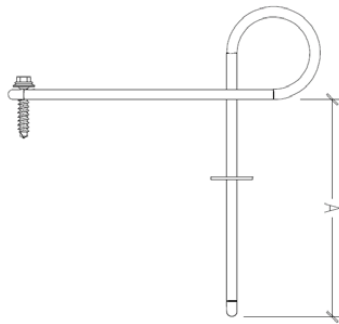


380 Cast-In-Place Stiffy Jack Chain Loop



- Designed as a rigid method of support for mechanical, electrical, and plumbing systems
- Punch a hole into the metal pan deck, drop the support through and fasten
- Provides vertical support for jack chain, cable or wire
- Neoprene washer prevents concrete slurry from penetrating the hole when the deck is filled with concrete
- Can be used with or without concrete being poured over the deck
- Comes pre-staked with hex washer head tek screws
- Max load in concrete filled deck: 300 lbs. per support
- Max load in decks with no concrete fill: 133 lbs. per support
- UL listed



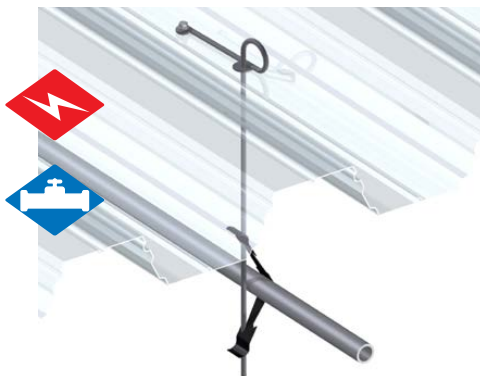
	A-Height (In.)	Qty
Fig 380		



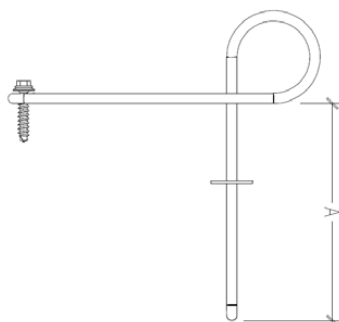
Scan to Learn More



381 Cast-In-Place Stiffy Straight Rod with Pigtail Loop



- Punch a hole in the deck and drop this support through
- Zinc plated rod for corrosion resistance
- Designed as a rigid method of support for mechanical, electrical, and plumbing systems.
- Can be used with or without concrete being poured over the deck
- Neoprene washer prevents concrete slurry from passing thru the deck
- Max load in concrete filled deck: 300 lbs, per support
- Max load in decks with no concrete fill: 133 lbs. per support
- UL listed



	A-Height (In.)	Qty
Fig 381		



Scan to Learn More

