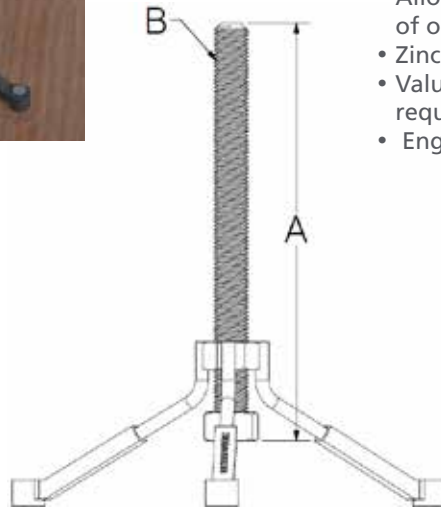
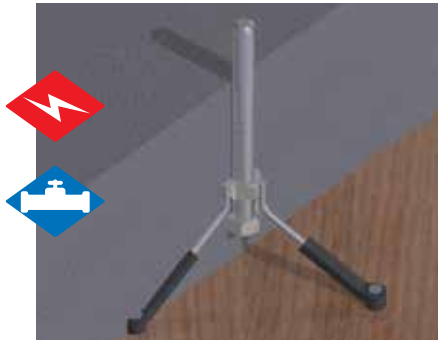


# Fig. 336

## Stiffy Anchor Bolt



- Provides a solid support for Anchor Bolts without tying off of rebar or using cheap plastic supports that break.
- Allows Anchor Bolts to be installed when the decks are clear of obstructions.
- Zinc plated rod for corrosion resistance.
- Values shown are calculated with Cracked Concrete per the requirements of ACI 318.
- Engineered submittal documents stamped by an engineer.



Contractor:		Ship to Address:	
PO#		Order Date:	
<b>**All Orders are Custom and Therefore Non-cancellable and Non-returnable</b>			

	A	B	QTY
Fig 336			
Fig 336			
Fig 336			

A	B	
Height	*01	3/8" Bolt
	*02	1/2" Bolt
	*03	5/8" Bolt
	*04	3/4" Bolt
	*05	7/8" Bolt
	*06	1" Bolt

Stiffy Cast-in-Place Anchor Bolt			
Anchor Dia	Min Concrete Thickness	Min Embed	Allowable Load
5/8"	8"	4"	5000
3/4"	9"	5"	5500
7/8"	9"	5"	5500
1"	10"	6"	7500

**Footnotes:**

- 1 - Calculations based on 4000psi NWC
- 2 - 8" minimum edge distance
- 3 - Calculations performed take into consideration cracked concrete per ACI 318

**Application Examples**



**Fig. 336**



**ELECTRICAL/LOW VOLTAGE APPLICATIONS**



**MECHANICAL/PLUMBING APPLICATIONS**



**CONSTRUCTION ENGINEERED ATTACHMENT SOLUTIONS**

It's What We Do!