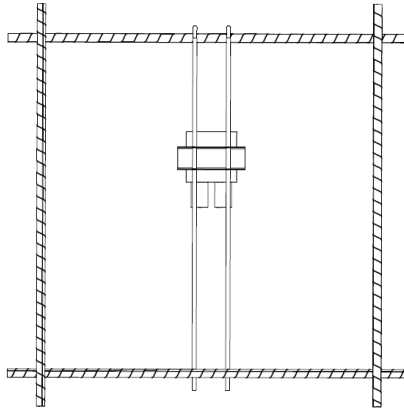
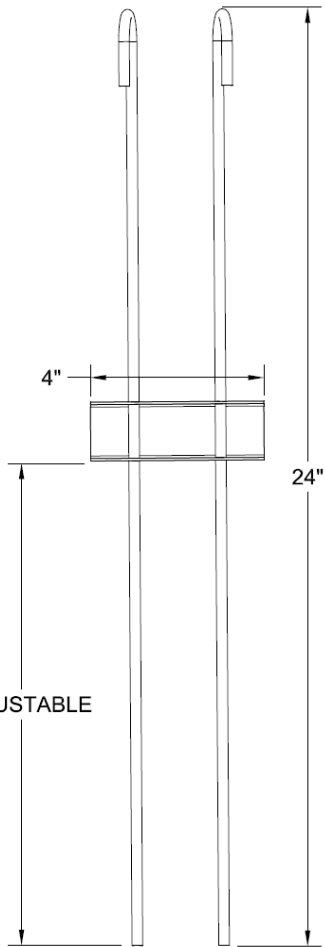
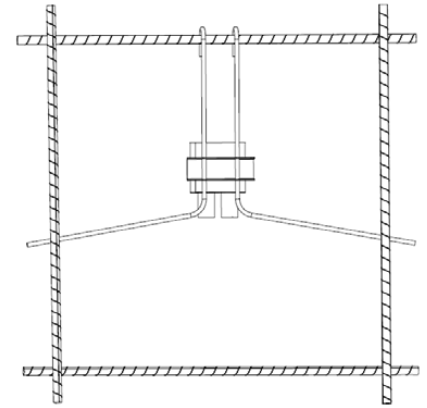




- Ideal solution for installing boxes in shotcrete or gunite walls when forms are not used
- Provides rigid support for boxes in walls prior to the pour
- Stiffy legs create spring pressure forcing the box against the concrete form ensuring a clean finished installation
- Universal design enables the boxes to be supported with no consideration for the rebar
- Can be mounted both before and after the forms have been installed
- Eliminates the need to support boxes from inconsistent rebar or drill forms



Step 1:
Hook the Stiffy to rebar and adjust the elevation of the box.



Step 2:
Spread the legs to set the elevation and use tie wire to secure in place.

	Qty
Fig 323	



Scan to Learn More

