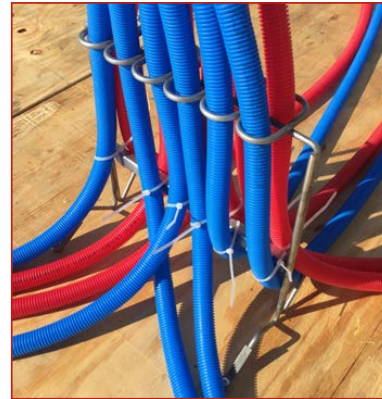
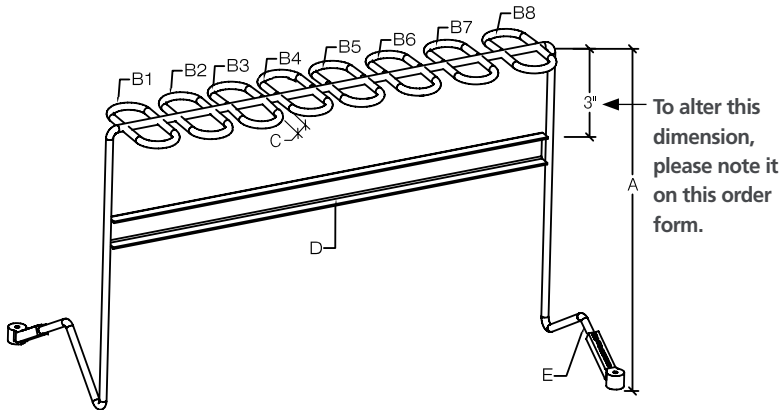


- Stiffy Sock® plastic foot:
 - Provides a uniform opening to install fasteners
 - Reduces exposed metal when the forms are removed
- Provides rigid support for pipes and conduits in concrete decks prior to pour
- Support loop design eliminates restraint at the top
- Offers many additional uses
- Barely noticeable from below after forms are removed
- Works great in post-tension decks to keep pipes away from cables
- Eliminates the need to support from rebar or plastic chairs that break
- Support can extend above the concrete pour to protect the pipe
- Constructed with zinc coated rod to resist corrosion



Scan to Learn More

	A	B1	B2	B3	B4	B5	B6	B7	B8	C	D	E	Qty
Fig 317													

A Height (Inches)	B		C Spacing	D Crossbrace	E Footprint	
	Stiffy I.D.	For reference only GRC/PVC/ENT PVC Coated Rigid				
*01	.875"	1/2" (.84 OD)	(1/2" min to fit Couplings)	*01 Channel	*01 Stiffy Loop	*02 Stiffy Sock
*02	1.125"	3/4" (1.05" OD)		*02 Rod Crossbar		
*03	1.375"	3/4" (1.13" OD)				
*04	1.50"	1" (1.32" OD)			1" (1.4" OD)	
*05	1.75"	1-1/4" (1.66" OD)		1-1/4" (1.74" OD)		
*06	2.125"	1-1/2" (1.9" OD)		1-1/2" (1.98" OD)		
*07	2.50"	2" (2.38" OD)		2" (2.46" OD)		
*08	3.00"	2-1/2" (2.88" OD)		2-1/2" (2.96" OD)		
*09	3.625"	3" (3.5" OD)		3" (3.58" OD)		
*10	4.125"	3-1/2" (4" OD)		3-1/2" (4.08" OD)		
*11	4.625"	4" (4.5" OD)		4" (4.58" OD)		
*12	Other-Specify Size				*03 2 Rod Crossbar	*03 Dual Loop
				*04 2 Channel Crossbar		

Footnotes:

- Snap in style conduit supports are used for 1/2" and 3/4" GRC/PVC/ENT
- Conduit Clips are used for 1" GRC/PVC/ENT and larger
- Dimensions shown are for conduit OD only. Be sure to oversize the openings to account for couplings.
- 1/2" nom. Pre-sleeved PEX piping = 1.05" O.D.
- 3/4" nom. Pre-sleeved PEX piping = 1.36" O.D.