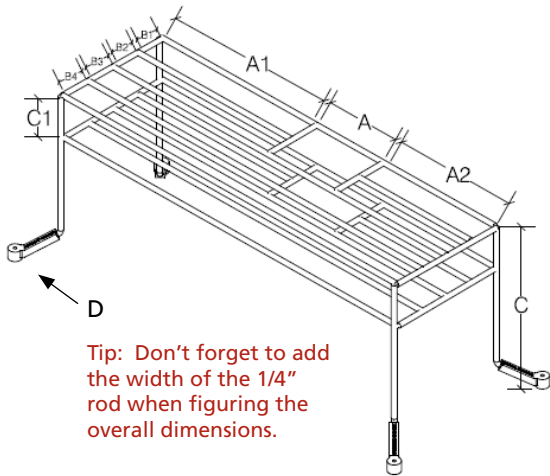


- Stiffy Sock® plastic foot:
 - Provides a uniform opening to install fasteners
 - Reduces exposed metal when the forms are removed
- Provides rigid support for pipes and conduits in concrete decks prior to pour
- Support loop design eliminates restraint at the top
- Offers many additional uses
- Barely noticeable from below after forms are removed
- Works great in post-tension decks to keep pipes away from cables
- Eliminates the need to support from rebar or plastic chairs that break
- Support can extend above the concrete pour to protect the pipe
- Constructed with zinc coated rod to resist corrosion



Tip: Don't forget to add the width of the 1/4" rod when figuring the overall dimensions.



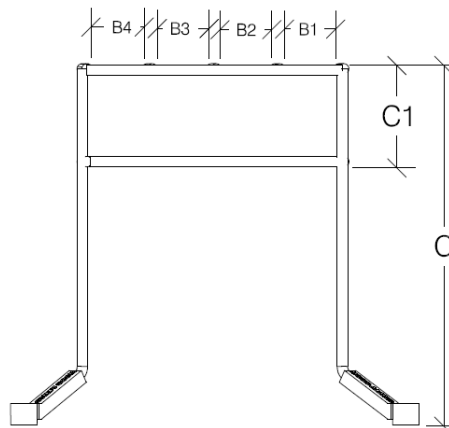
Scan to Learn More

	Opening (I.D.)	Length (In.)		Cage Opening				C (In.) Overall Height	C1 (In.) Cage Height	D	Qty
		A	A1	A2	B1	B2	B3				
Fig 316											

Stiffy I.D.	B	
	For reference only	
	GRC/PVC/ENT	PVC Coated Rigid
*01 .875"	1/2" (.84 OD)	
*02 1.125"	3/4" (1.05" OD)	
*03 1.375"		3/4" (1.13" OD)
*04 1.50"	1" (1.32" OD)	1" (1.4" OD)
*05 1.75"	1-1/4" (1.66" OD)	1-1/4" (1.74" OD)
*06 2.125"	1-1/2" (1.9" OD)	1-1/2" (1.98" OD)
*07 2.50"	2" (2.38" OD)	2" (2.46" OD)
*08 3.00"	2-1/2" (2.88" OD)	2-1/2" (2.96" OD)
*09 3.625"	3" (3.5" OD)	3" (3.58" OD)
*10 4.125"	3-1/2" (4" OD)	3-1/2" (4.08" OD)
*11 4.625"	4" (4.5" OD)	4" (4.58" OD)
*12	Other-Specify Size	

Footnotes:

- Dimensions shown are for conduit OD only. Be sure to oversize the openings to account for couplings.
- 1/2" nom. Pre-sleeved PEX piping = 1.05" O.D.
- 3/4" nom. Pre-sleeved PEX piping = 1.36" O.D.



D	
Footprint	
*01	Stiffy Sock
*02	Stiffy Loop

