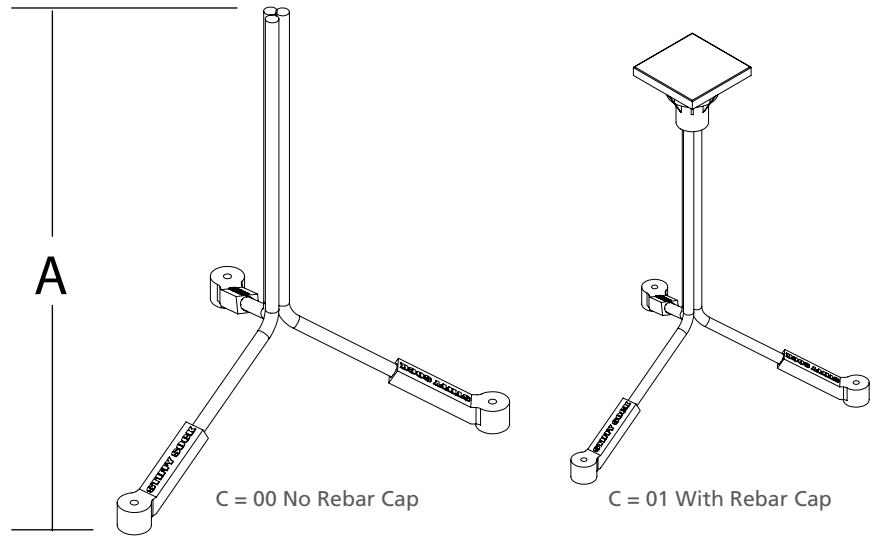


- Stiffy Sock® plastic foot:
 - Provides a uniform opening to install fasteners
 - Eliminates exposed metal when the forms are removed
- Provides rigid support for deck cans, pipes and conduits in concrete decks prior to pour
- Eliminates the need to support from rebar or plastic chairs that break
- Constructed with zinc coated rod to resist corrosion



	A	B	C	Qty
Fig 300				

A Height (Inches)	B Footprint		C Rebar Cap	
	*01	Stiffy Sock	*00	No Rebar Cap
	*02	Stiffy Loop	*01	Rebar Cap



Scan to Learn More

