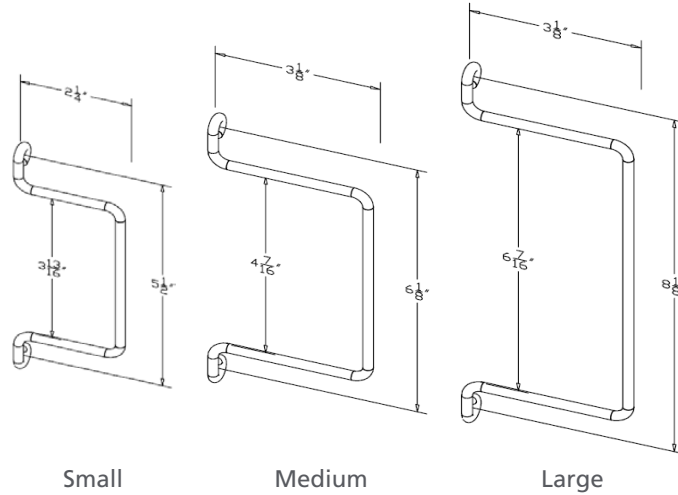




- A quick and cost-effective way to route, support and secure cables and jumpers in terminal closets
- Guides cables vertically on walls
- 1/4" zinc coated rod to resist corrosion



Scan to Learn More

	A	B	Qty
Fig 241			



A		B	
*00	No Fastener	*01	Small D-Ring
*01	1-1/4" Power Actuated Pin—1" Embedment	*02	Medium D-Ring
*02	1-1/4" Power Actuated Pin—1-1/4" Embed.	*03	Large D-Ring
*03	1/4" x 3-1/4" Wedge Anchor (2" Embed)	To order custom sizes please refer to the Fig 121 Order Form	
*03.1	3/8" x 3" Wedge Anchor (2" Embed)		
*04	1/4" x 1-7/8" Concrete Screw Anchor		
*04.1	3/8" x 2-1/2" Concrete Screw Anchor		
*06	#10 2-1/2" Hex Washer Head Self Driller		
*07	#10 2-1/2" Hex Washer Head Sharp Point		
*08	Timberpin (Wood Applications)		
*25	Other—Please Specify		

Additional Fastener Options are Shown on Pages 10 - 12