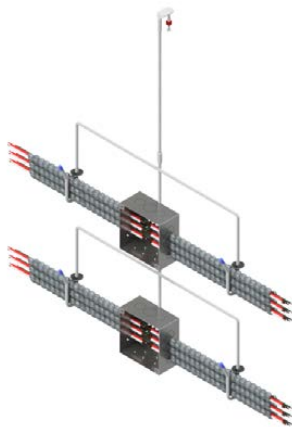
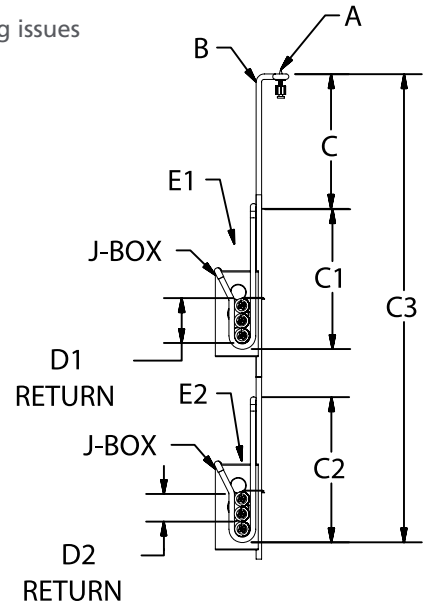
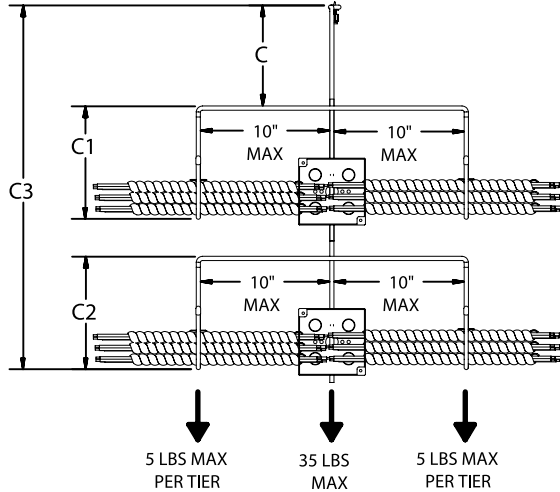


*****Patented Design**



- Zinc plated rod resists corrosion
- Supports EMT, MC/AC and flexible conduit
- Spaces cables to avoid bundling and NEC derating issues
- Max load: 50 lbs. per support
- UL listed hardware



F=02 Threaded Support Shown



Scan to Learn More



	A	B	C	C1	D1	E1	C2	D2	E2	C3	F	QTY
Fig 144												
To order the Multi Support with no stacker returns input "0" for the return length (D) and opening size (E*).												

A		B		C-C3	D1-D2	E1-E2					F
*00	No Fastener	*01	*011	Drop Length (Inches)	Return Length (Inches)	*01	White	(.430 thru .560 diameter) 14-3, 14-4, 12-2, 12-3, 12-4 and 10-2 MC/AC	*01	Fixed Length	
*01	1-1/4" Power Actuated Pin—1" Embedment					*02	Black	(.560 thru .690 diameter) Standard MC Sizes: 10-3, 10-4, 8-2, 8-3.	*02	Threaded Adjustable Version	
*02	1-1/2" Power Actuated Pin—1-1/4" Embed	90° Footprint	Hard Concrete Footprint			*03	Blue	(.700 thru .830 diameter) MC/AC			
*03	1/4" x 3-1/4" Wedge Anchor (2" Embed)					*04	Orange	(.840 thru .970 diameter) MC/AC			
*03.1	3/8" x 3" Wedge Anchor (2" Embed)					*05	Pink	(.980 thru 1.11 diameter) MC/AC			
*04	1/4" x 1-7/8" Concrete Screw Anchor					*06	Teal	(1.12 thru 1.250 diameter) MC/AC			
*04.1	3/8" x 2-1/2" Concrete Screw Anchor					*07	Wine	(1.260 thru 1.390 diameter) MC/AC			
*06	#10 Hex Washer Head Self Driller	Gas Tool Footprint	Side Mount Footprint			Refer to the Tech Section for MC/AC Diam.					
*07	#10 Hex Washer Head Sharp Point					*08	Gray	1/2" EMT			
*08	Timberpin (Wood Applications)					*09	Brown	3/4" EMT			
*09	Wide Mouth Beam Clamp					*10	Green	1" EMT			
*12	Adjustable Hammer-On BC Rotates 360° (Specify Flange Thickness)					*11	Yellow	1-1/4" EMT			
*14	Stiffy Wood-Pull Down Attachment	Threaded End (1/2" of Threads)	Straight Rod			*12	Red	1-1/2" EMT			
*16	Hammer-On Beam Clamp 1/8" - 3/4" Flange					*13	Purple	2" EMT			
*17	Bar Joist Pull-Down Clamp 1/16" - 1/4 Flange					*14	Other	Specify Size			
*25	Other—Please Specify	BX Battery - Actuated Tool Footprint	Other - Please Specify								

Footnotes:

1. BX Battery-Actuated Tool Footprint B = 05 always provided with No Fastener A = 00

Additional fastener options are shown on pages 10-11