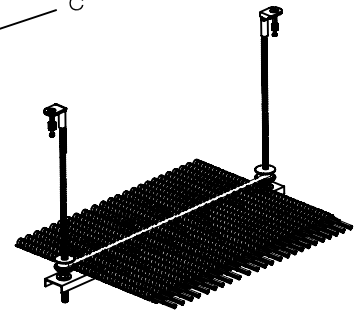
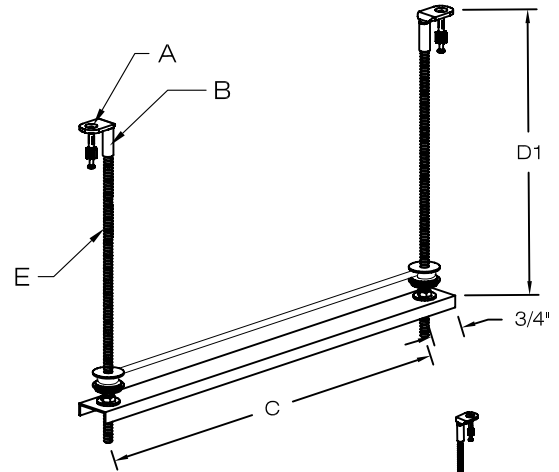


# Fig. 129

## Stiffy HD Crossbar Trapeze



- Supports MC/AC and Flexible Conduit
- Prefabricated trapezes save time and money
- No time wasted in the field with unnecessary assembly
- Quick installation
- Refer to page 28 for project building code and seismic requirements.
- UL listed hardware
- Engineering services are available to design anchors and trapeze assemblies per project requirements when requested



Tip...Take a look at the Fig 101 to stack MC or EMT vertically.

Max Capacity Based on Span	
24" Span	100#
36" Span	80#

Contractor:	Ship to Address:
PO#	Order Date:
<b>**All Orders are Custom and Therefore Non-cancellable and Non-returnable</b>	

	A	B	C	D	E	Qty
Fig 129						
Fig 129						
Fig 129						



A		B		C	D	E
*00	No Fastener	*01	*011	Width (Inches)	Drop Length (Inches)	*01 1/4" ATR
*01	1-1/4" Power Actuated Pin—1" Embedment (B = 011) <sup>2</sup>					*02 3/8" ATR <sup>1</sup>
*02	1-1/2" Power Actuated Pin—1-1/4" Embed (B = 011) <sup>2</sup>	90° Footprint	Hard Concrete Footprint	Footnotes: 1-In order to transition to 3/8" ATR a reducing coupler is used for B=01 and 02 Footprints. New Hard Concrete Footprint B=011, is available in 1/4" and 3/8".  2-When Power Actuated Fasteners (A=01, 02 or 13) and (B=01-90° Footprint) are selected the B=011 New Hard Concrete Footprint will be used by default.		
*03	1/4" x 3-1/4" Wedge Anchor (2" Embed)					
*03.1	3/8" x 3" Wedge Anchor (2" Embed)					
*04	1/4" x 1-3/4" Concrete Screw Anchor	*012	*02			
*04.1	3/8" x 1-3/4" Concrete Screw Anchor					
*06	#10 Hex Washer Head Self Driller	Gas Tool Footprint	Sidemount Footprint			
*07	#10 Hex Washer Head Sharp Point					
*08	Timberpin (Wood Applications)					
*09	Wide Mouth Beam Clamp	*03	*04			
*12	Adjustable Hammer-on BC Rotates 360° (Specify Flange Thickness)					
*13	1-1/4" PowderPuff Pin—1" Embedment (B = 011) <sup>2</sup>	Threaded End (1/2" of Threads)	Straight Rod			
*14	Stiffy Wood Pull Down Attachment	*10 Other-Please Specify				
*16	Hammer-on Beam Clamp 1/8" - 3/4" Flange					
*17	Bar Joist Pull Down Clamp 1/16" - 1/4" Flange					
*25	Other—Please Specify					

Additional Fastener Options are Shown on Pages 19-21

ELECTRICAL/LOW VOLTAGE APPLICATIONS

Fig. 129