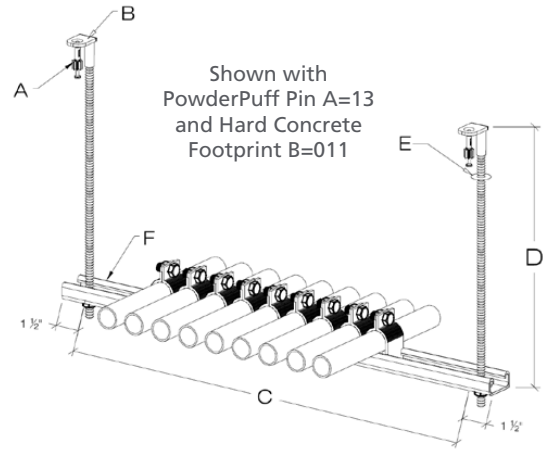
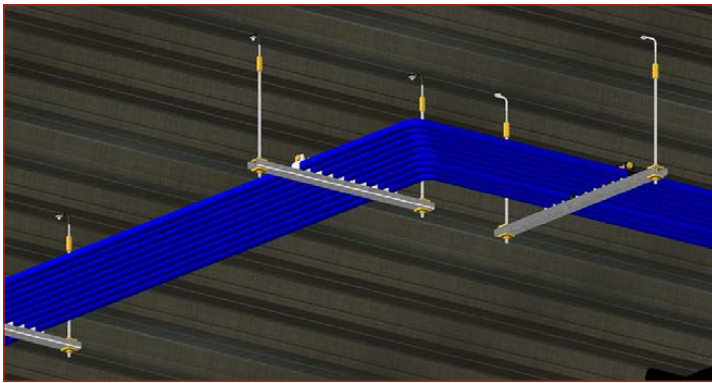


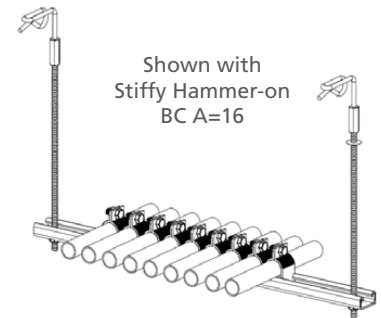
- Supports Pipe, EMT, MC/AC and flexible conduit
- Engineered as a complete assembly
- Quick installation
- Max load per trapeze: 100 lbs.
- Refer to page project building code and seismic requirements
- UL listed hardware
- Engineering services are available to design anchors and trapeze assemblies per project requirements when requested



Tip: Take a look at the Fig 101 to stack MC or EMT vertically.



Scan to Learn More



	A	B	C	D	E	F	Qty
Fig 125							



A		B		C	D	E	F	
*00	No Fastener	*01	*011	Width (Inches)	Drop Length (Inches)	*01 1/4" ATR	Strut Profile	
*01	1-1/4" Power Actuated Pin—1" Embedment (B = 011) ²	 90° Footprint	 Hard Concrete Footprint			*02 3/8" ATR ¹	*01	
*02	1-1/2" Power Actuated Pin—1-1/4" Embed (B = 011) ²						 13/16"	
*03	1/4" x 3-1/4" Wedge Anchor (2" Embed)	 Gas Tool Footprint	 Side Mount Footprint				*02	
*03.1	3/8" x 3" Wedge Anchor (2" Embed)							 1-5/8"
*04	1/4" x 1-7/8" Concrete Screw Anchor							
*04.1	3/8" x 2-1/2" Concrete Screw Anchor							
*06	#10 Hex Washer Head Self Driller	 Threaded End (1/2" of Threads)	 Straight Rod				*03	
*07	#10 Hex Washer Head Sharp Point							 1-5/8"
*08	Timberpin (Wood Applications)	 BX Battery-Actuated Tool Footprint	Other - Please Specify					
*09	Wide Mouth Beam Clamp							
*12	Adjustable Hammer-On BC Rotates 360° (Specify Flange Thickness)							
*14	Stiffy Wood Pull-Down Attachment							
*16	Hammer-On Beam Clamp 1/8" - 3/4" Flange							
*17	Bar Joist Pull-Down Clamp 1/16" - 1/4 Flange							
*25	Other—Please Specify							

Footnotes:

- In order to transition to 3/8" ATR a reducing coupler is used for B=01 and 02 Footprints. New Hard Concrete Footprint B=011, is available in 1/4" and 3/8". BX - Battery Actuated Tool Footprint B=05 available in 1/4".
- When Power Actuated Fasteners (A=01, 02 or 13) and (B=01-90° Footprint) are selected the B=011 New Hard Concrete Footprint will be used by default.
- Solid strut used for trapezes.
- BX Battery-Actuated Tool Footprint B = 05 always provided with No Fastener A = 00.

Additional fastener options are shown on pages 10-11