

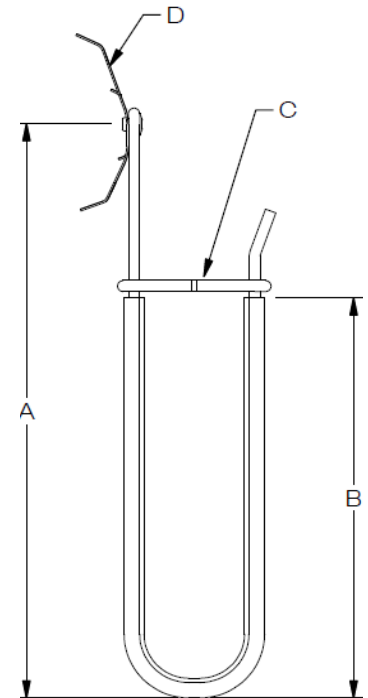
A=01 B=01

- Zinc plated rod for corrosion resistance
- Supports line sets and insulated refrigerant piping
- 2" wide plenum rated plastic bearing surface reduces the pressure on the insulation
- Spring steel clip can be ordered for 1/4" or 3/8" rod
- Max load: 50 lbs. per support
- Engineered submittal documents stamped by an engineer
- Refer to project building code to determine max weight/LF without seismic restraints

*****Patent Design**



Scan to Learn More



	A	B	C	D	Qty
Fig 109					

Tip: Take a look at the Fig 195 and Fig 196 to support refrigeration piping on a trapeze.

A	B	C		D	
Drop Length (Inches)	Return Length (Inches)	*01	1" Opening	*01	1/4" Spring Steel Clip
		*015	1.5" Opening	*02	3/8" Spring Steel Clip
		*02	2" Opening		
		*025	2.5" Opening		
		*03	3" Opening		
		*035	3.5" Opening		
		*04	4" Opening		
		*045	4.5" Opening		
		*05	5" Opening		
		*055	5.5" Opening		
		*06	6" Opening		
		*065	6.5" Opening		