

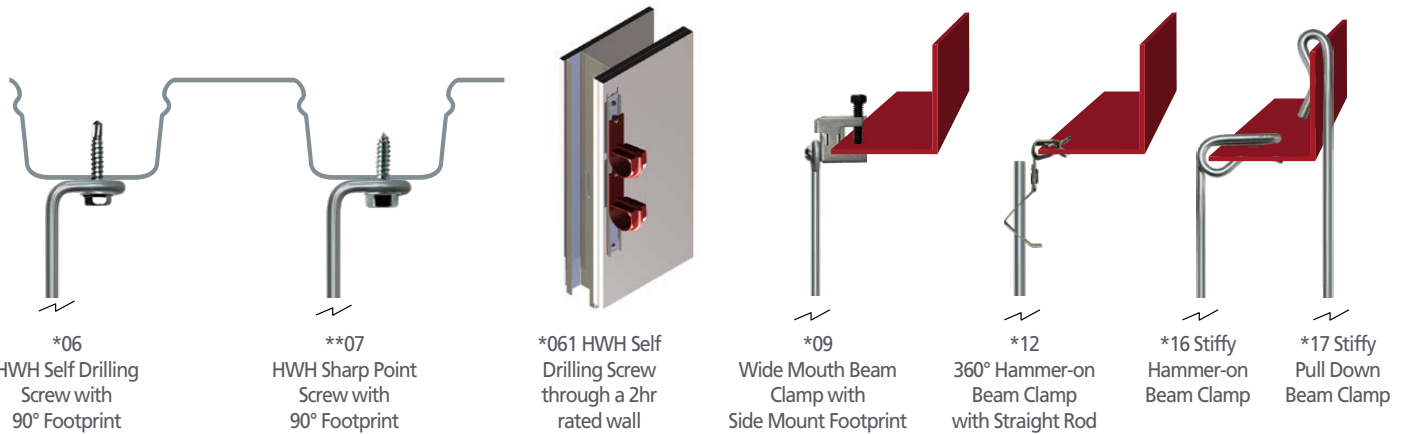


Option#	Description	Part #	Substrate	Embed.	Reference	Tension	Shear	
*001	Powers 1" x 0.145" Smooth Shank (0.300" Head Dia.)	50090	3000psi NWC Concrete	3/4"	ESR-2024	95	125	
*002	Powers 1" x 0.157" Spiral Shank (8mm Head Dia.)	50205	2500psi NWC Concrete			120	170	
*01	Powers 1-1/4" x 0.145" Smooth Shank (0.300" Head Dia.)	50092	3000psi NWC Concrete	1"		130	155	
			3000psi LWC Over 3" Metal Deck			120	290	
*011	Powers 1-1/4" x 0.157" Spiral Shank (8mm Head Dia.)	50208	2500psi NWC Concrete			195	245	
			3000psi LWC Over 1-1/2" Metal Deck			200	410	
			3000psi LWC Over 3" Metal Deck			120	305	
*02	Powers 1-1/2" x 0.145" Smooth Shank (0.300" Head Dia.)	50094	3000psi NWC Concrete			1-1/4"	155	165
			3000psi LWC Over 3" Metal Deck	190			340	
*021	Powers 1-1/2" x 0.157" Spiral Shank (8mm Head Dia.)	50207	2500psi NWC Concrete	310			385	
			3000psi LWC Over 1-1/2" Metal Deck	210	415			
			3000psi LWC Over 3" Metal Deck	140	370			
*03	1/4" x 3-1/4" Powers SD1 Wedge Anchor	7404SD1	3000psi NWC Concrete	1-1/2"	ESR-2818		1449	601
			3000psi LWC Over 3" Metal Deck				869	601
*031	3/8" x 3" Powers SD1 Wedge Anchor	7413SD1	3000psi NWC Concrete	2"			435	490
			3000psi LWC Over 3" Metal Deck			261	294	
*04	Simpson 1/4" X 1-7/8" Titen HD Concrete Screw Anchor (1/4" Dia. Home in Concrete Required)	24292	3000psi NWC Concrete	2"		ESR-2202	183	341
			3000psi LWC Over 3" Metal Deck				110	249
*041	Simpson 3/8" X 2-1/2" Titen HD Concrete Screw Anchor (3/8" Dia. Home in Concrete Required)	50403	3000psi NWC Concrete	2-3/4"	358		464	
			3000psi LWC Over 3" Metal Deck		215		298	

Footnotes:

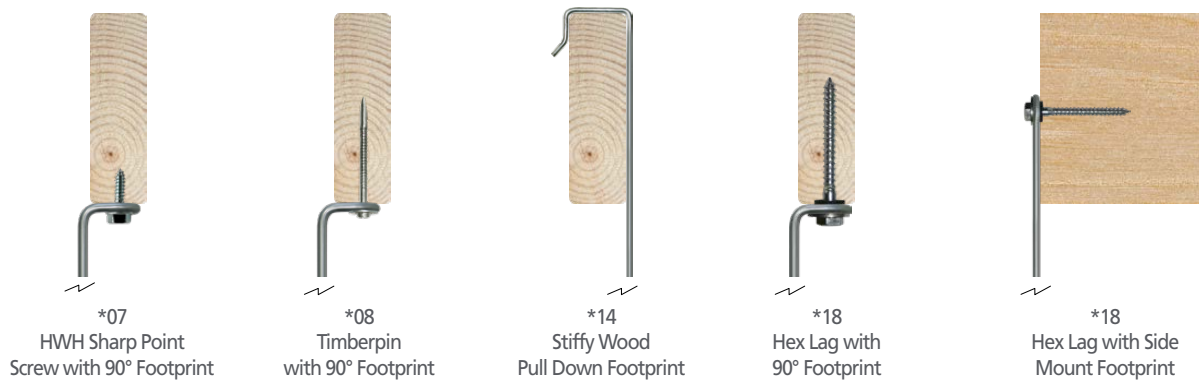
1- Allowable loads listed are based on the capacities listed on the ICC report for the applicable substrate.

Illustrations are not to scale.



Option#	Description	Part #	Substrate		Tension	Shear
*06	#10 x 1-1/4" HWH Self Drilling Screw	HWHT10114	18g Sheet Metal	ESR-1408	148	326
			16g Sheet Metal		194	398
			14g Sheet Metal		280	412
*061	#14 x 2" HWH Self Drilling Screw	HWHT104400	18g Sheet Metal		107	288
			16g Sheet Metal		206	517
			14g Sheet Metal		281	613
*07	#10 x 1-1/4" HWH Sharp Point Screw	HWHS10114	20g Sheet Metal	Calcs	105	222
*09	WIDE MOUTH BEAM CLAMP	BC	1/2" Max Steel Flange	UL	100	
*12.1	360° HAMMER-ON BEAM CLAMP	70824	1/8" - 1/4" Steel Flange		200	
*12.2		70858	5/16" - 1/2" Steel Flange			
*12.3		708912	9/16" - 3/4" Steel Flange			
*16	STIFFY HAMMER-ON BEAM CLAMP	SFSH	1/8" - 3/4" Steel Flange		200	
*17	STIFFY PULL-DOWN BEAM CLAMP	SFSPD	1/8" - 5/16" Steel Flange		233	

Illustrations are not to scale.



Option#	Description	Part #	Substrate	Reference	Tension
*07	#10 x 1-1/4" HWH Sharp Point Screw	HWHS10114	2" x 4" Douglas Fir (3/4" Embedment)	Calcs	109
*08	CEAS Timberpin 2-1/2" x 0.169 Ring Shank Nail with 0.300" Head Diameter	SF90TP250	Min 5" x 11" Glulam Beam	UL	100
			Min 2" x 6" Douglas Fir		
*14	Stiffy Wood Pull Down Footprint	SFSPD	2" Nominal Lumber	UL	100
*18	1/4" X 2-1/2" Hex Lag	HLG14212	Douglas Fir or Glulam	Calcs	216